



SUBMITTAL DATA SHEET

Series Name: Multi Zone Hyper Heat Series
 Model Number: WOM-18HH3/230

| Multi Zone Heat Pump System | |
|-----------------------------|---------------|
| Location: | Approval: |
| Engineer: | Date: |
| Submitted to: | Construction: |
| Submitted by: | Unit #: |
| Reference: | Drawing #: |



| OUTDOOR SPECIFICATION | | |
|------------------------------|---------------|-----------------------|
| Compressor Type | ROTARY | |
| Compressor Model | KTM240D46UKT2 | |
| Refrigerant | R454B | |
| Refrigerant Oil Charge(mL) | 620 | |
| Refrigerant Oil | VG74 | |
| Outdoor Air Flow (Max) (CFM) | 2131 | |
| Outdoor Noise Level (dBA) | 62 | |
| Dimension (WxDxH) | inch | 37.24 x 16.14 x 31.89 |
| | mm | 946x410x810 |
| Package (WxDxH) | inch | 42.91 x 19.68 x 34.84 |
| | mm | 1090x500x885 |
| Net/Gross Weight | lbs | 137.35/148.15 |
| | kg | 62.3/67.2 |

| ELECTRICAL | |
|----------------------------------|--|
| Power Supply | 208/230V,60Hz,1Ph |
| System MCA | 17.5 |
| Connection Wiring | AWG 14-4 |
| System MOCP | 20 |
| Compressor RLA | 9.2 |
| Outdoor Fan Motor RLA | 1.2 |
| Outdoor Fan Motor W | 120 |
| Indoor Fan Motor RLA | / |
| Indoor Fan Motor W | / |
| System Power Input @ Cooling (W) | 1460/(400 ~ 2300) |
| System Power Input @ Heating (W) | 1503/(350 ~2300) |
| MCA: Min. circuit amps (A) | MOCP: Max. over current protection (A) |
| RLA: Rated load amps (A) | W: Fan motor rated output (W) |

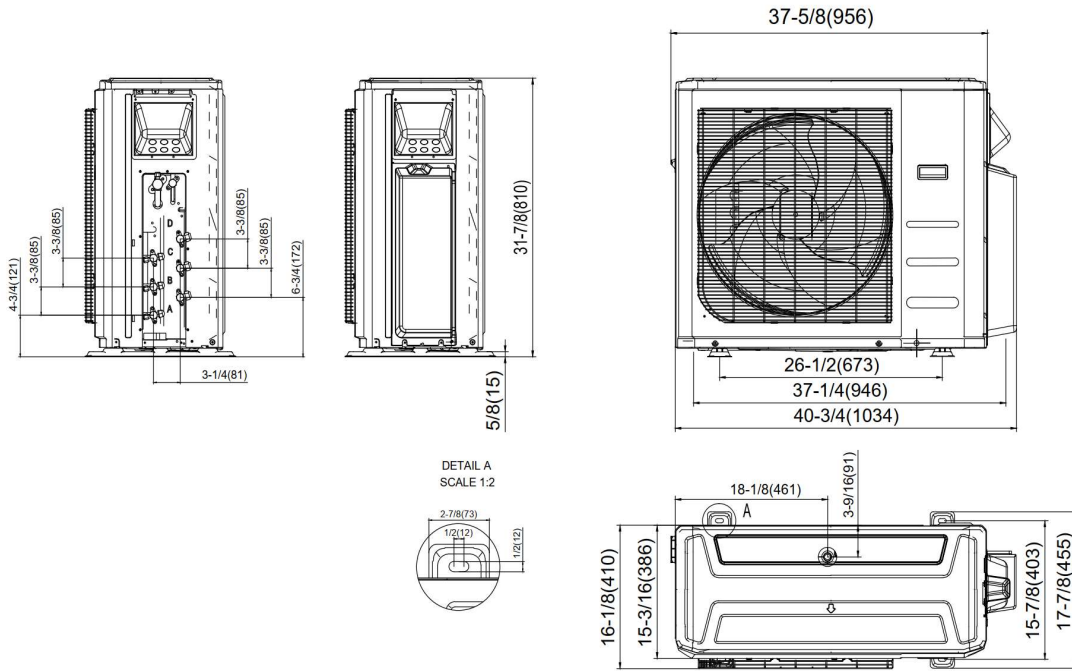
| EFFICIENCY | | | |
|------------|------|---------|------|
| Cooling | | Heating | |
| SEER2 | 21.0 | HSPF2-4 | 10.0 |
| EER2 | 13 | COP | 3.9 |

| PERFORMANCE of Cooling | |
|---------------------------------|---|
| Cooling (Btu/hr) | |
| Rated Capacity | 19000 |
| Min/Max Capacity | 5400~27600 |
| Moisture Removal(L/h) | 1.4 |
| Standard Operating Range(°F/°C) | -22~122/(-30 ~ 50) |
| Rated Cooling Conditions: | Indoor: 80°F DB/67°F WB Outdoor: 95°F DB/75°F WB |

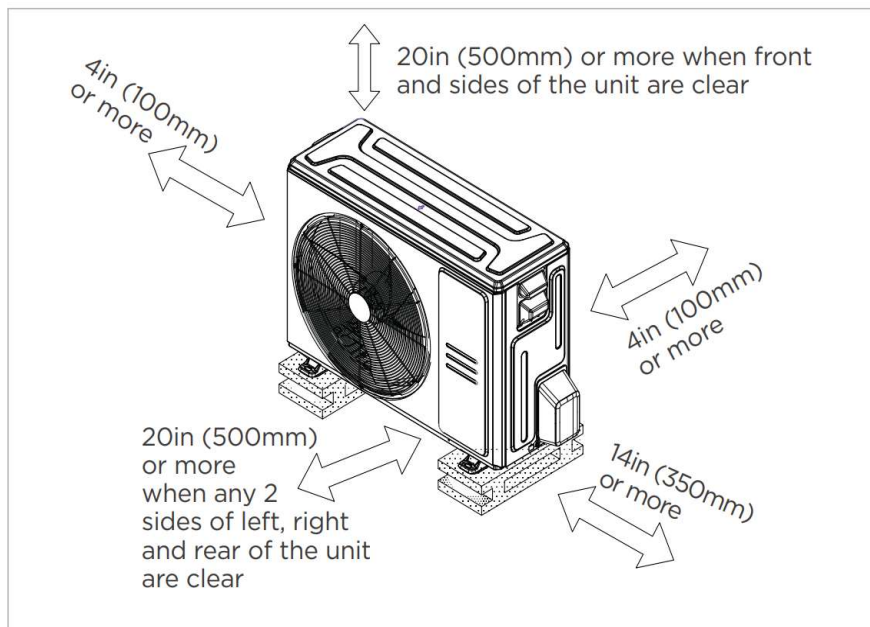
| PERFORMANCE of Heating | |
|-------------------------------------|---|
| Heating (Btu/hr) | |
| 1. @ 47°F Rated | 20000 |
| 1. @ 47°F Min/Max Capacity | 5700~25400 |
| 2. @ 17°F Rated(H32) | 16400 |
| 3. @ 5°F Rated: Capacity / COP(H42) | 18000/2 |
| 3. @ 5°F Max: Capacity | 18000 |
| Standard Operating Range(°F/°C) | -22~75/(-30 ~ 24) |
| 1. Conditions: | Indoor: 70°F DB/60°F WB Outdoor: 47°F DB/43°F WB |
| 2. Conditions: | Indoor: 70°F DB/60°F WB Outdoor: 17°F DB/15°F WB |
| 3. Conditions: | Indoor: 70°F DB/60°F WB Outdoor: 5°F DB/5°F WB |

| PIPING | |
|---|-------------------|
| Liquid Size | 3x6.35mm(3x1/4in) |
| Gas Size | 3x9.52mm(3x3/8in) |
| Max. Piping Length for all rooms(ft/m) | 196.8/(60) |
| Max. Piping Length for one IDU(ft/m) | 98.4/(30) |
| Max. Height Difference of IDU and ODU(ft/m) | 49.2/(15) |
| Refrigerant Pre-charged Amount(oz/kg) | 78.31/(2.22) |
| Refrigerant Precharge Length(ft/m) | 24.6(7.5)x3 |
| Additional Charge of Refrigerant (Φ6.35 (1/4") liquid pipe) ((oz/ft)/(g/m)) | 0.16/(15) |
| Additional Charge of Refrigerant (Φ9.52 (3/8") liquid pipe) ((oz/ft)/(g/m)) | 0.32(30) |
| Connection Method | Flared |

Outdoor Unit Dimension



Installation Instruction



Meets all spatial requirements shown in Installation Clearance Requirements above.