



SUBMITTAL DATA SHEET

Series Name: Ducted Central Air Hyper Heat AHU Series
 Model Number: WDHP-24HH | WDAH-24MOC

| Air Handler Heat Pump System | |
|------------------------------|---------------|
| Location: | Approval: |
| Engineer: | Date: |
| Submitted to: | Construction: |
| Submitted by: | Unit #: |
| Reference: | Drawing #: |



| INDOOR SPECIFICATION | | |
|---|------|-----------------------|
| ESP(in.W.G) | | 0-0.8 |
| Indoor Noise Level (Turbo/H/M/L/Si) (dBA) | | N/A/44/42/28/N/A |
| Dimension (WxDxH) | inch | 21.02 x 17.52 x 45.00 |
| | mm | 534.0x445.0x1143.0 |
| Package (WxDxH) | inch | 26.57 x 20.87 x 48.62 |
| | mm | 675x530x1235 |
| Net/Gross Weight | lbs | 105.60/127.43 |
| | kg | 47.9/57.8 |

| OUTDOOR SPECIFICATION | | |
|------------------------------|------|-----------------------|
| Compressor Type | | ROTARY |
| Compressor Model | | KTM240D46UKT2 |
| Refrigerant | | R454B |
| Refrigerant Oil Charge(mL) | | 620 |
| Refrigerant Oil | | VG74 |
| Outdoor Air Flow (Max) (CFM) | | 1765.7 |
| Outdoor Noise Level (dBA) | | 60 |
| Dimension (WxDxH) | inch | 35.04 x 13.46 x 26.50 |
| | mm | 890.0x342.0x673.0 |
| Package (WxDxH) | inch | 39.17 x 15.67 x 29.13 |
| | mm | 995x398x740 |
| Net/Gross Weight | lbs | 102.29/109.13 |
| | kg | 46.4/49.5 |

| EFFICIENCY | | | |
|------------|------|---------|------|
| Cooling | | Heating | |
| SEER2 | 18.3 | HSPF2-4 | 10.0 |
| EER2 | 11.7 | COP | 3.33 |

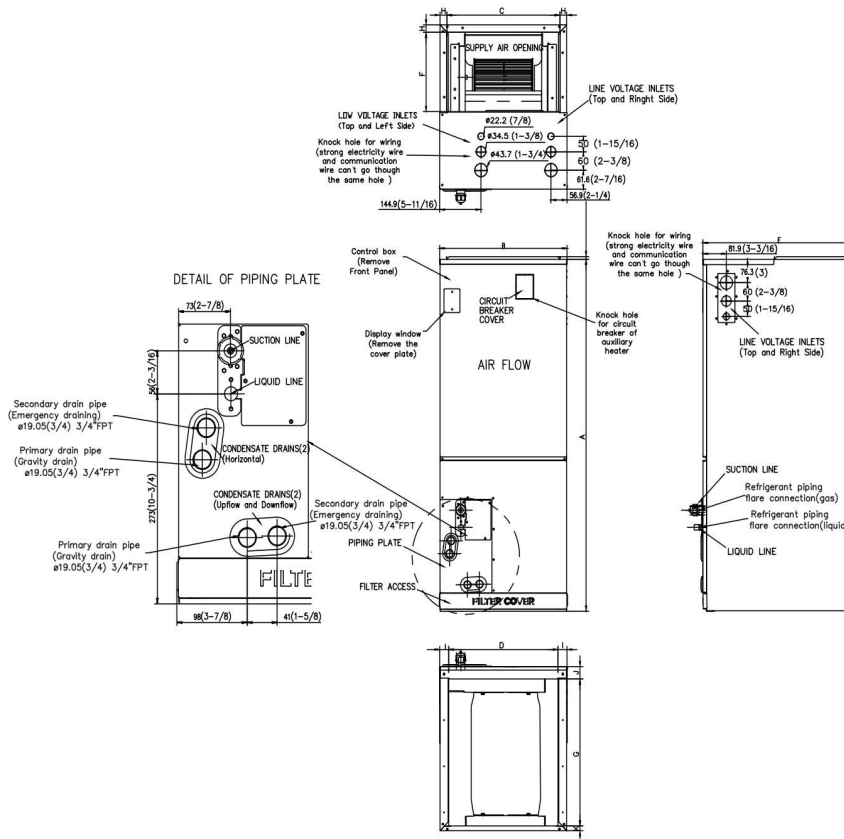
| PERFORMANCE of Cooling | |
|---------------------------------|---|
| Cooling (Btu/hr) | |
| Rated Capacity | 23000 |
| Min/Max Capacity | 7200-27000 |
| Moisture Removal(L/h) | 2.05 |
| Standard Operating Range(*F/*C) | -22~122(-30 ~ 50) |
| Rated Cooling Conditions: | Indoor: 80°F DB/67°F WB Outdoor: 95°F DB/75°F WB |

| PERFORMANCE of Heating | |
|---|---|
| Heating (Btu/hr) | |
| 1. @ 47°F Rated | 24000 |
| 2. @ 47°F Min/Max Capacity | 7100-30000 |
| 3. @ 17°F Rated | 20000 |
| 4. @ 5°F Rated: Capacity / COP | 21600/1.87 |
| 5. @ 5°F Max: Capacity | 21600 |
| Standard Operating Range(*F/*C) | -22~75(-30 ~ 24) |
| 1. Rated Heating Conditions: | Indoor: 70°F DB/60°F WB Outdoor: 47°F DB/43°F WB |
| 2. Rated Heating Conditions: | Indoor: 70°F DB/60°F WB Outdoor: 17°F DB/15°F WB |
| 3. Heating Conditions, Compressor Operating at Max. Frequency | Indoor: 70°F DB/60°F WB Outdoor: 5°F DB/5°F WB |

| ELECTRICAL | |
|----------------------------------|--|
| Indoor Power Supply | 115/208/230V,60Hz,1Ph |
| Indoor MCA 115V/(208/230V) | 5.5/4.0 |
| Indoor MOP | 15 |
| Outdoor Power Supply | 208/230V,60Hz,1Ph |
| Outdoor MCA | 19 |
| Outdoor MOP | 20 |
| Communication Wiring | AWG 20-2 |
| Compressor RLA | 14 |
| Outdoor Fan Motor RLA | 1 |
| Outdoor Fan Motor W | 80 |
| Indoor Fan Motor RLA | 3 |
| Indoor Fan Motor W | 250 |
| System Power Input @ Cooling (W) | 1965(530 ~ 2870) |
| System Power Input @ Heating (W) | 2112(440 ~ 2730) |
| MCA: Min. circuit amps (A) | MOCP: Max. over current protection (A) |
| RLA: Rated load amps (A) | W: Fan motor rated output (W) |

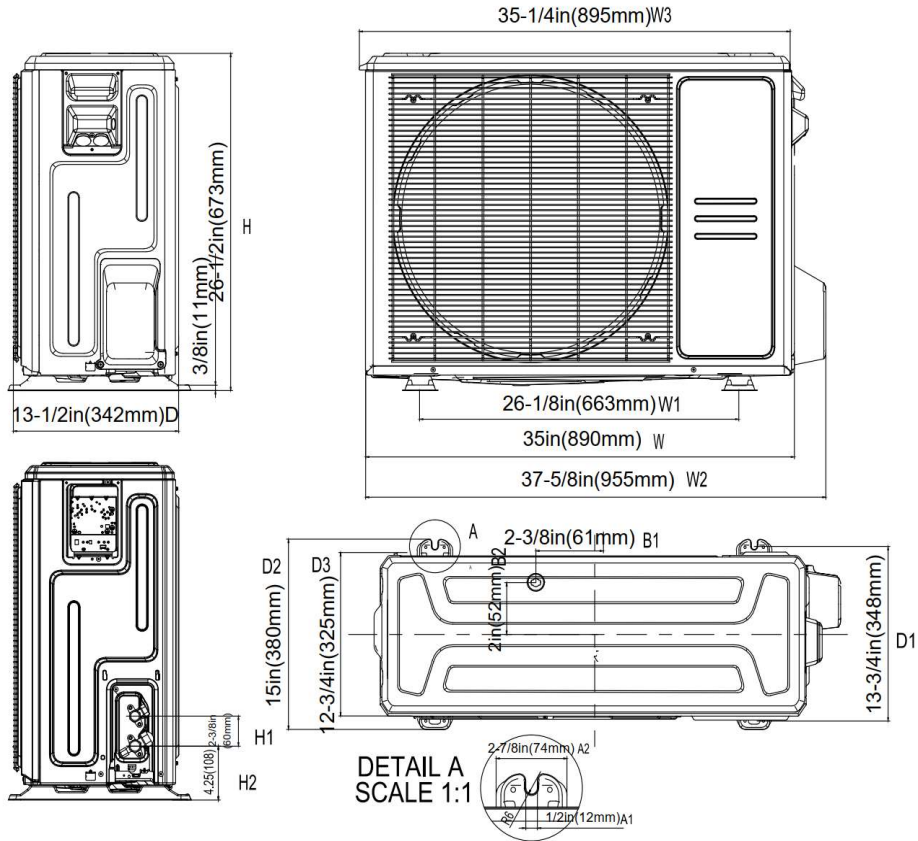
| PIPING | |
|---|---------------|
| Throttle type(Indoor) | EXV |
| Throttle type(Outdoor) | EXV |
| Liquid Size | 9.52mm(3/8in) |
| Gas Size | 19mm(3/4in) |
| Max. Piping Length(ft/m) | 164(50) |
| Max. Height Difference(ft/m) | 82(25) |
| Max. Pre-charged Length(ft/m) | 24.6(7.5) |
| Refrigerant Pre-charged Amount(oz/kg) | 74.08(2.1) |
| Additional Charge of Refrigerant((oz/ft)/(g/m)) | 0.7(65) |
| Connection Method | Flared |

Indoor Unit Dimension

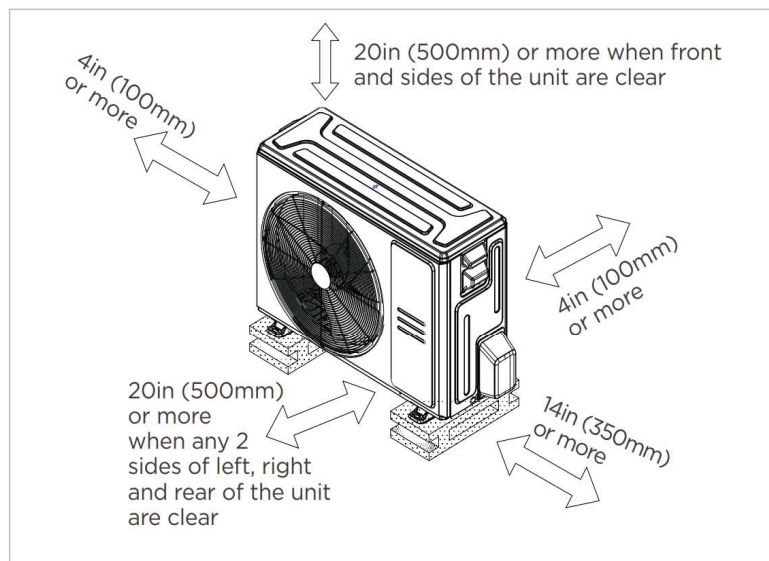


| Dimensions | Model | 18k/24k | | 30k/36k | | 48k/60k | |
|------------|------------------------------------|---------|------|---------|------|---------|------|
| | | inch | mm | inch | mm | inch | mm |
| A | Model Height | 45 | 1143 | 49 | 1245 | 53 | 1346 |
| B | Model Width | 17-1/2 | 445 | 21 | 534 | 24-1/2 | 622 |
| C | Supply Air Opening Width | 15-5/8 | 397 | 19-1/8 | 486 | 22-5/8 | 575 |
| D | Return Air Opening Width | 15-1/8 | 384 | 18-5/8 | 473 | 22-1/8 | 562 |
| E | Model Depth | 21 | 534 | 21 | 534 | 21 | 534 |
| F | Supply Air Opening Depth | 10-1/4 | 260 | 10-1/4 | 260 | 10-1/4 | 260 |
| G | Return Air Opening Depth | 18-3/4 | 476 | 18-3/4 | 476 | 18-3/4 | 476 |
| H | Supply Air Opening Clearance | 15/16 | 24 | 15/16 | 24 | 15/16 | 24 |
| I | Return Air Opening Side Clearance | 1-1/4 | 32 | 1-1/4 | 32 | 1-1/8 | 28 |
| J | Return Air Opening Front Clearance | 1-1/2 | 38 | 1-5/8 | 41 | 1-5/8 | 41 |
| K | Return Air Opening Back Clearance | 5/8 | 16 | 5/8 | 16 | 3/4 | 19 |

Outdoor Unit Dimension

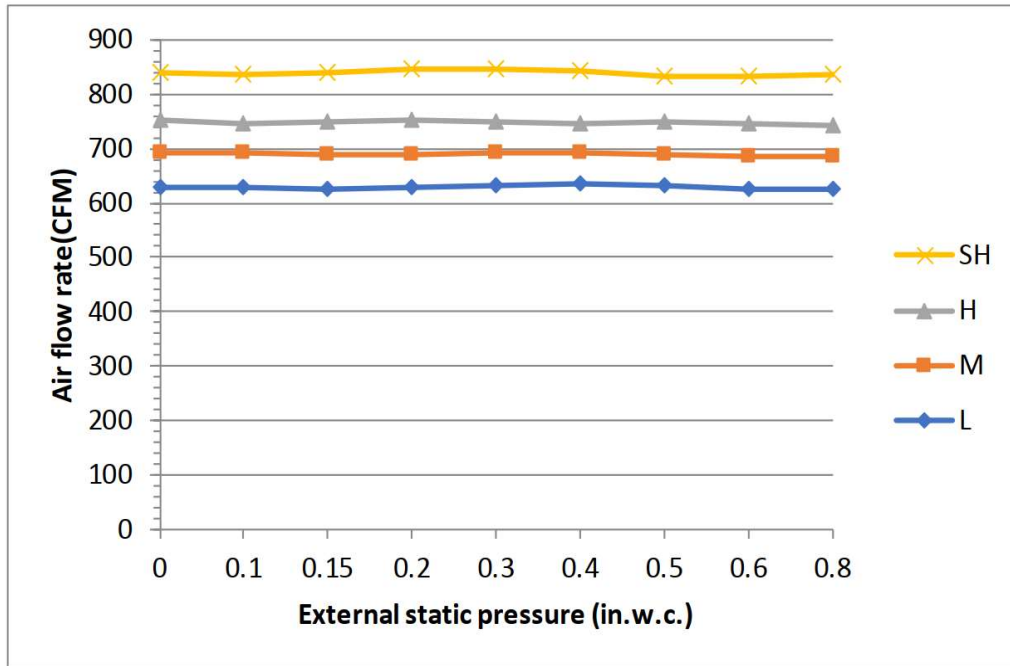


Installation Instruction For Outdoor Unit



Meets all spatial requirements shown in Installation Clearance Requirements above.

Fan Performance For Indoor Unit



Features

- Multi-position installation: horizontal(left or right), vertical(up or down)
- Aluminum Coil
- Constantly Air Flow system up to 0.80 In.W.G
- 1 inch R4.2 fiberglass free insulation reduces condensation and boosts efficiency(optional)
- Optional Auxiliary heat kit up to 25kW
- Easy Maintenance
- Multiple control options available:
 - Two way communication wired controller:120N(X6)
 - Two way communication wired controller with built-in WiFi:120N(X6W)
 - Wireless remote controller
 - Third-Party 24V Thermostat
- Adaptive Control System
- High efficiency up to 19 SEER2, 12.5 EER2, 10.3 HSPF2
- 100% heat output at -4F*
- Chassis heater and crankcase heater equipped as standard

* For 36K model, rated cooling capacity/heating capacity at -4F=100%